

Box Plots (also known as “box and whiskers”): a graph that summarizes a data set along a number line. There is a box in the middle and whiskers on both sides.

First Quartile (lower quartile, Q1): the median of the lower half of the numbers in the data set.

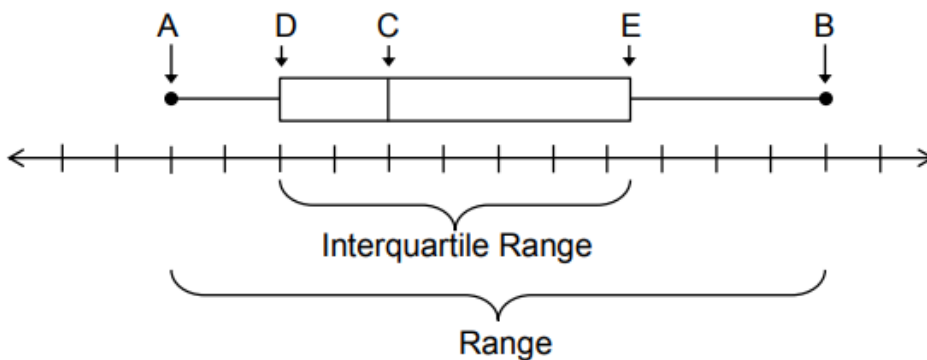
Second Quartile (median, Q2): median of the numbers in the data set.

Third Quartile (upper quartile, Q3): the median of the upper half of the numbers in the data set.

Interquartile Range: Distance between the first and the third quartile. Width of the box.

Range: Distance from the minimum value to the maximum value.

Steps: Plot (A) the Minimum Value
(B) the Maximum Value
(C) the Median
(D) the Lower Quartile
(E) the Upper Quartile



25% of the data points are between:

- the minimum and Q1 (the left whisker)
- Q1 and the median (the left side of the box)
- the median and Q3 (the right side of the box)
- Q3 and the maximum (the right whisker)